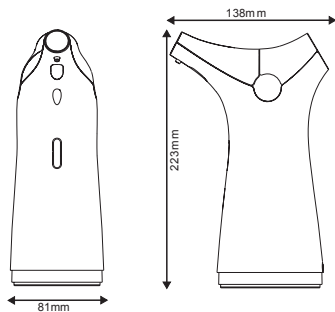


Automatic Soap Dispenser  
**SimpleOne™**  


---

**USER MANUAL**

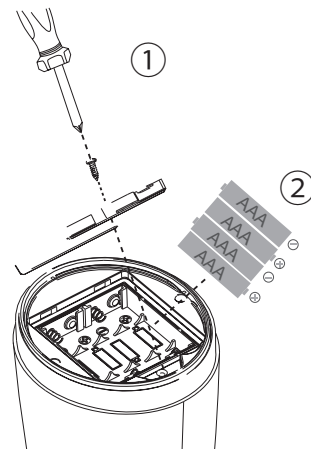
**Specifications**



Name	Automatic Soap Dispenser
Model	SimpleOne™
Unit size	5.4" x 2.3" x 8.8"
Induction distance	0-3.5 Inches
Material	PP, ABS
Vol	6.8 oz
Power supply	4 x AAA Batteries

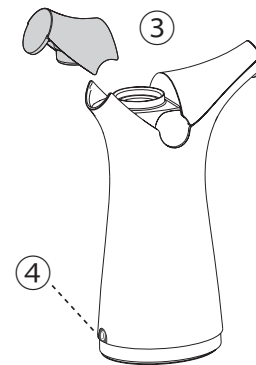
**Operational Instructions**

1. Unscrew the cover from bottom of unit
2. Insert batteries and screw cover back on

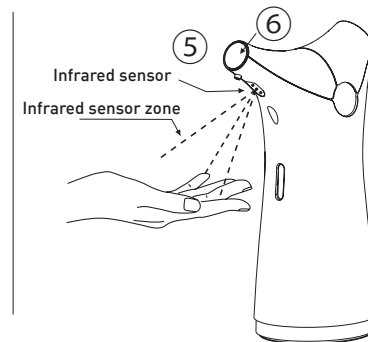


**Attention:**  
 Please insert batteries according to the diagram inside the lid for proper installation.

3. To fill with soap, lift the top cover
4. Press the power button to Power On



5. Place your hand under the sensor area to operate it
6. Blue light flashes repeatedly to indicate low battery power



**Recommendations**

- Use non-granular, non-foaming liquid soap or hand sanitizer
- Clean dispensing tip regularly and run pump with warm water

